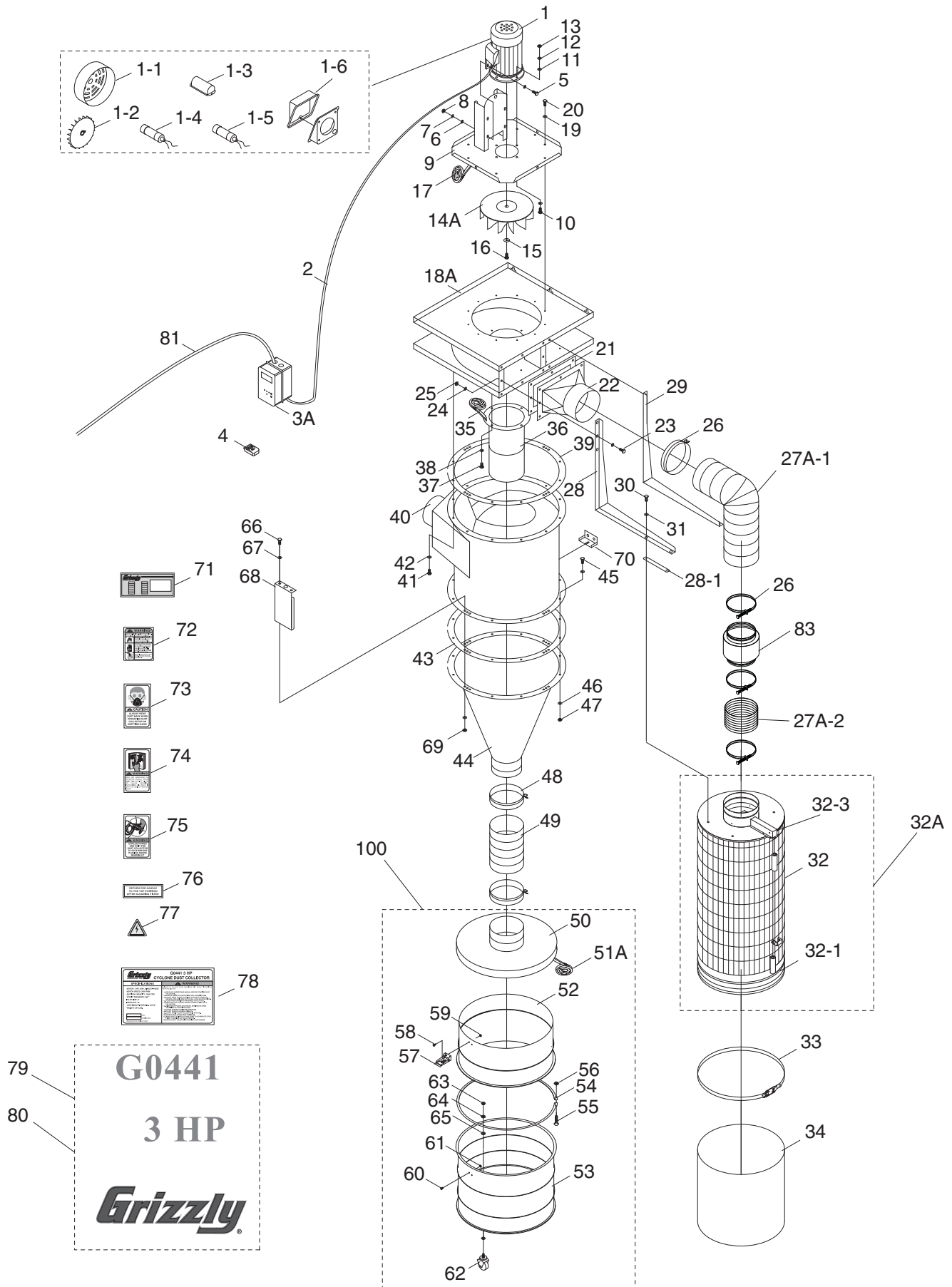


G0441 Parts Breakdown



G0441 Parts List

REF	PART #	DESCRIPTION
1	P0441001	MOTOR 3HP 220V 1PH
1-1	P0441001-1	MOTOR FAN COVER
1-2	P0441001-2	MOTOR FAN
1-3	P0441001-3	CAPACITOR COVER
1-4	P0441001-4	S CAP. 600M 125V 1-3/4 X 3-3/4
1-5	P0441001-5	R CAP. 50M 250V 1-5/8 X 3-1/2
1-6	P0441001-6	JUNCTION BOX
2	P0441002	WIRE 12AWG X 3C
3A	P0441003A	REMOTE MAG SWITCH 220V V2.02.06
4	P0441004	REMOTE CONTROLLER
5	PB16	HEX BOLT 3/8-16 X 1-1/2
6	PW02	FLAT WASHER 3/8
7	PLW04	LOCK WASHER 3/8
8	PN08	HEX NUT 3/8"-16
9	P0441009	BLOWER COVER
10	PB16	HEX BOLT 3/8-16 X 1-1/2
11	PW02	FLAT WASHER 3/8
12	PLW04	LOCK WASHER 3/8
13	PN08	HEX NUT 3/8"-16
14A	P0441014A	IMPELLER 15-1/2" V2.02.06
15	P0441015	FENDER WASHER 3/8
16	P0441016	SPECIAL SCREW 3/8-16 X 1 (LH)
17	P0440017	FOAM TAPE 3 X 6MM X 1.8M
18A	P0441018A	BLWR HOUSING 15-1/2" IMP V2.02.06
19	PW07	FLAT WASHER 5/16
20	PB07	HEX BOLT 5/16-18 X 3/4
21	P0441021	OUTLET GASKET 326 X 226MM
22	P0441022	OUTLET PORT
23	PB03	HEX BOLT 5/16-18 X 1
24	PW07	FLAT WASHER 5/16
25	PN02	HEX NUT 5/16"-18
26	P0441026	HOSE CLAMP 8"
27A-1	P0441027A-1	GREY FLEX PIPE 8" X 500MM V2.04.08
27A-2	P0441027A-2	GREY FLEX PIPE 8" X 120MM V2.04.08
28	P0441028	FILTER L-BRACE (RIGHT)
28-1	P0441028-1	BRACE GASKET 240 x 32MM
29	P0441029	FILTER L-BRACE (LEFT)
30	PB07	HEX BOLT 5/16-18 X 3/4
31	PW07	FLAT WASHER 5/16
32	P0441032	CARTRIDGE FILTER 510MM
32-1	P0441032-1	FOAM TAPE 3 X 25MM X 1.6M
32-3	P0441032-3	METAL HANDLE INSERT
32A	P0441032A	COMPLETE CANISTER ASSY (BOX 2)
33	P0441033	BAG CLAMP 510MM
34	P0441034	COLLECTION BAG 510 X 600MM
35	P0441017	FOAM TAPE 3 X 6MM X 1.8M
36	P0441036	INTAKE CYLINDER 10"

REF	PART #	DESCRIPTION
37	PB07	HEX BOLT 5/16-18 X 3/4
38	PW07	FLAT WASHER 5/16
39	P0440039	BARREL GASKET 584MM DIA.
40	P0441040	INTAKE BARREL 20"
41	PB07	HEX BOLT 5/16-18 X 3/4
42	PW07	FLAT WASHER 5/16
43	P0440039	BARREL GASKET 584MM DIA.
44	P0441044	CYCLONE FUNNEL 20"
45	PB03	HEX BOLT 5/16-18 X 1
46	PW07	FLAT WASHER 5/16
47	PN02	HEX NUT 5/16"-18
48	P0441048	HOSE CLAMP 9"
49	P0441049	CLEAR FLEX PIPE 9" X 340mm
50	P0440050	COLLECTION DRUM LID V2.08.06
51A	P0440051A	FOAM TAPE 10 X 50MM X 2M V2.10.05
52	P0441052	UPPER DRUM 25 GALLON
53	P0440052	COLLECTION DRUM 35 GALLON
54	P0441054	DRUM CLAMP
55	PB04	HEX BOLT 5/16-18 X 3
56	PN02	HEX NUT 5/16"-18
57	P0440053	DRUM LID LATCH
58	PS06	PHLP HD SCR 10-24 X 3/8
59	PN07	HEX NUT 10-24
60	PS06	PHLP HD SCR 10-24 X 3/8
61	PN07	HEX NUT 10-24
62	P0440056	CASTER 2"
63	PN08	HEX NUT 3/8"-16
64	PLW04	LOCK WASHER 3/8
65	PW02	FLAT WASHER 3/8
66	PB03	HEX BOLT 5/16-18 X 1
67	PW07	FLAT WASHER 5/16
68	P0443061	SWITCH MOUNTING BRACKET
69	PN02	HEX NUT 5/16"-18
70	P0441070	WALL MOUNT BRACKET
71	P0441071	G0441 MOTOR SPEC LABEL
72	P0441072	MOTOR WARNING LABEL
73	PLABEL-32	DUST MASK 2W X 3.3H
74	PLABEL-12	READ MANUAL 2W X 3.3H
75	P0442096	HANDS/INLET LABEL
76	P0442097	RETURN RED HANDLE LABEL
77	PLABEL-14	ELECTRICITY 1.4W X 1.2H
78	P0441078	G0441 MACHINE ID LABEL
79	P0441079	MODEL NO/HP/GRIZZLY LABEL LRG
80	P0441080	MODEL NO/HP/GRIZZLY LABEL SML
81	P0441081	POWER CORD 12AWG X 3C X 10'
83	P0441083	MUFFLER 8"
100	P0441100	COLLECTION DRUM EXT KIT

