



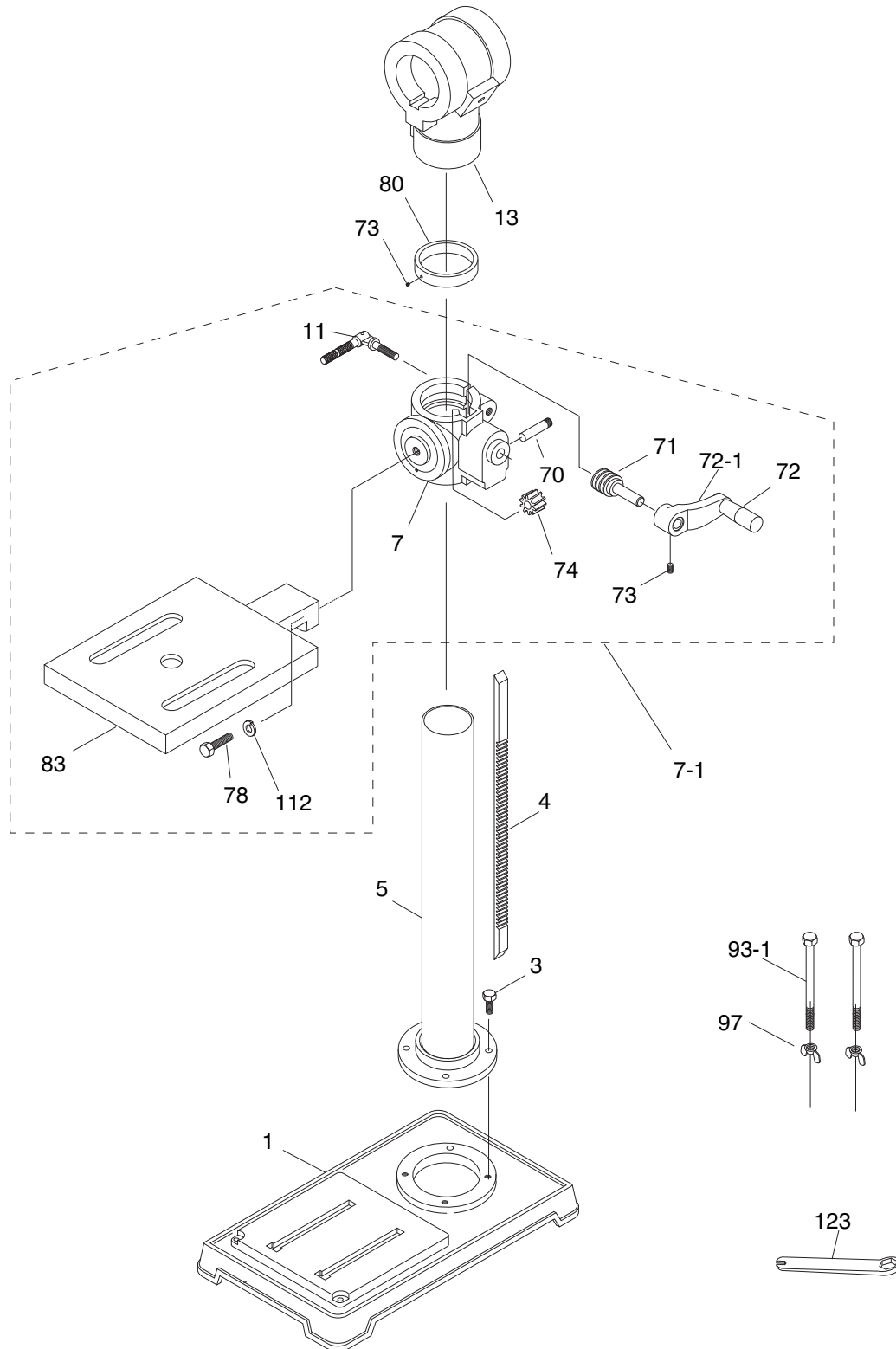
# G7945/G7946 Main Parts List

REF	PART #	DESCRIPTION
8	P7945008	GEAR
9	PR16M	EXT RETAINING RING 9MM
10	PN03M	HEX NUT M8-1.25
15	P7945015	KNOB BOLT M8-1.25 X 16
16A	P7945016A	MOUNT PLATE V2.06.06
19B	P7945019B	MOTOR 1/2HP 110V V2.3.07
19-1	P7945019-1	MOTOR MOUNT BRACKET V2.02.05
19-2	P7945019-2	CAPACITOR COVER
19-3	P7945019-3	MOTOR FAN
19-4	P7945019-4	FAN COVER
19-5	PS17M	PHLP HD SCR M4-.7 X 6
19-6	P7945019-6	CAPACITOR 150 MFD, 125VAC
19-7	PW05M	FLAT WASHER 4MM
20	P7945020	PULLEY COVER
21	P7945021	MOTOR PULLEY
22	PVM58	V-BELT M-58 3L580
23	P7945023	COVER KNOB M5-.8
24	P7945024	LOCK PIN
25	P7945025	SPINDLE PULLEY
26	P7945026	DRIVE SLEEVE
27	PR23M	INT RETAINING RING 40MM
28	P6203	BALL BEARING 6203ZZ
28-1	P7945028-1	SPACER
29	P7945029	KNOB M10-1.5
30	P7945030	HORIZONTAL ADJ KNOB
31	PN31M	HEX NUT M12-1.5
32	P7945032	SPRING COVER
32-1	P7945032-1	COILED SPRING
33	P7945033	HORIZONTAL COLUMN
33-1	P7945033-1	HORIZONTAL COLUMN RACK
34	P7945034	HEADSTOCK
35	PSW06	SWITCH 110/220V
36	PSS20M	SET SCREW M8-1.25 X 8
37	PS09M	PHLP HD SCR M5-8 X 10
38	P7945038	SWITCH MOUNT COVER
38-1	P7945038-1	SWITCH PLATE
38-3	PSW09-1	PADDLE SWITCH KEY
39	P7945039	RUBBER WASHER
40	P7945040	QUILL SHAFT
41	P6202	BALL BEARING 6202ZZ
42	P7945042	SPINDLE SHAFT JT #33
43	P7943092	CHUCK KEY
44	P7945044	1/2" CHUCK 1-16MM JT #33
45A	P7945045A	COLLAR

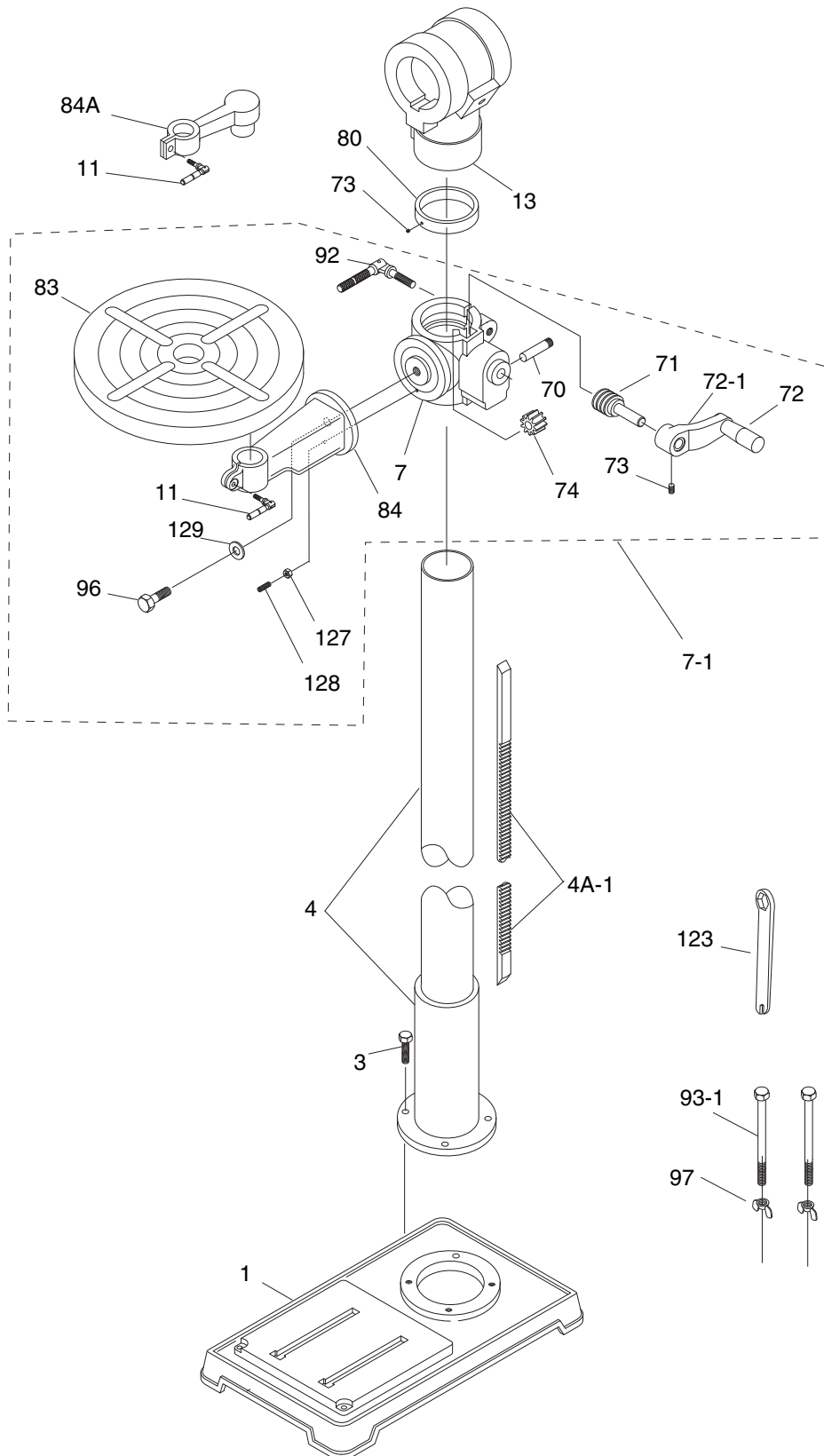
REF	PART #	DESCRIPTION
45A-1	P7945045A-1	DEPTH STOP ROD V2.02.05
45A-2	P7945045A-2	DEPTH STOP BRACKET
45A-3	P7945045A-3	DEPTH STOP MOUNT
45A-4	P7945045A-4	DEPTH STOP SCALE
46	P7945046	PINION
47	P7945047	FEED COLLAR
48	P7945048	HANDLE
49	P7945049	DEGREE SCALE
50	PR03M	EXT RETAINING RING 12MM
51	P6201	BALL BEARING 6201
52	P7945052	POWER CORD
53	P7945053	PULLEY SET NUT
54	PS07	PHLP HD SCR 1/4-20 X 3/8
56	PS05M	PHLP HD SCR M5-.8 X 8
58	P7945058	LOCK KNOB M8-1.25 X 15
59	PSS21M	SET SCREW M8-1.25 X 25
60	PN03M	HEX NUT M8-1.25
62	P7945062	LOGO
63	P7945063	WIRE STRAP
64	PS07M	PHLP HD SCR M4-.7 X 8
65	P7945065	MOTOR SWITCH CORD
66	P7945066	SPEED CHART
76	P7945076	LOCKING GIB
77	PW01M	FLAT WASHER 8MM
79	PW04M	FLAT WASHER 10MM
81	PB09M	HEX BOLT M8-1.25 X 20
100	P7945100	LOCK SHOE
101	P7945101	RUBBER BUMPER
105	P7945105	DEPTH GAUGE KIT V2.05.02
110	P7945110	STRAIN RELIEF
112	PLW06M	LOCK WASHER 10MM
113	P7945113	GUIDE ROD 16 X 30MM
114	PN02M	HEX NUT M10-1.5
115	P7942031	RUBBER WASHER 7MM
117	P7945117	MOTOR LABEL
118	P7945118	CLAMP BOLT M10-1.5 X 25
119	PHTEK7	TAP SCREW #8 X 3/8
120	PAW03M	HEX WRENCH 3MM
121	PAW04M	HEX WRENCH 4MM
124	PS03M	PHLP HD SCR M6-1 X 8
125	PW03M	FLAT WASHER 6MM
126	PSB14M	CAP SCREW M8-1.25 X 20
130	PW02M	FLAT WASHER 5MM
131	PSS01M	SET SCREW M6-1 X 10



# G7945 Column Breakdown



# G7946 Column Breakdown



# G7945 Column Parts List

REF	PART #	DESCRIPTION
1	P7945001	BASE
3	PB09M	HEX BOLT M8-1.25 X 20
4	P7945004	SHORT RACK
5	P7945005	SHORT VERTICAL COLUMN
7	P7945007	GEARED TABLE BRACKET
7-1	P7945007-1	TABLE BRACKET ASSEMBLY
11	P7945011	CLAMP BOLT M10-1.5 X 30
13	P7945013	HORIZ BRACKET 2-5/16 V2.02.99
70	P7945070	PIN
71	P7945071	WORM SHAFT
72	P7943006	HANDLE

REF	PART #	DESCRIPTION
72-1	P7945072-1	CRANK HANDLE
73	PSS01M	SET SCREW M6-1 X 10
74	P7945074	10T GEAR
78	P7945078	10MM CAPSCREW
80	P7945080	COLUMN RING
83	P7945083	SQUARE TABLE
93-1	P7945093-1	HEX BOLT M8-1.25 X 125
97	P7945097	WING NUT 8MM
112	PLW06M	LOCK WASHER 10MM
123	P7945123	SPECIAL WRENCH

# G7946 Column Parts List

REF	PART #	DESCRIPTION
1	P7946001	BASE V2.04.03
3	PB31M	HEX BOLT M10-1.5 X 40
4	P7946004	LONG COLUMN W/HOLDER V3.02.99
4A-1	P7946004A	LONG RACK
7	P7946007	GEARED TABLE BRACKET V2.03.99
7-1	P7946007-1	COMPLETE TBL BRKT ASSY
11	P7946011	LEVER BOLT M10-1.5 X 30
13	P7946013	HORIZONTAL COLUMN BRACKET
70	P7946070	AXLE
71	P7946071	WORM PINION
72	P7946072	LIFT HANDLE
72-1	P7946072-1	CRANK HANDLE
73	PSS01M	SET SCREW M6-1 X 10

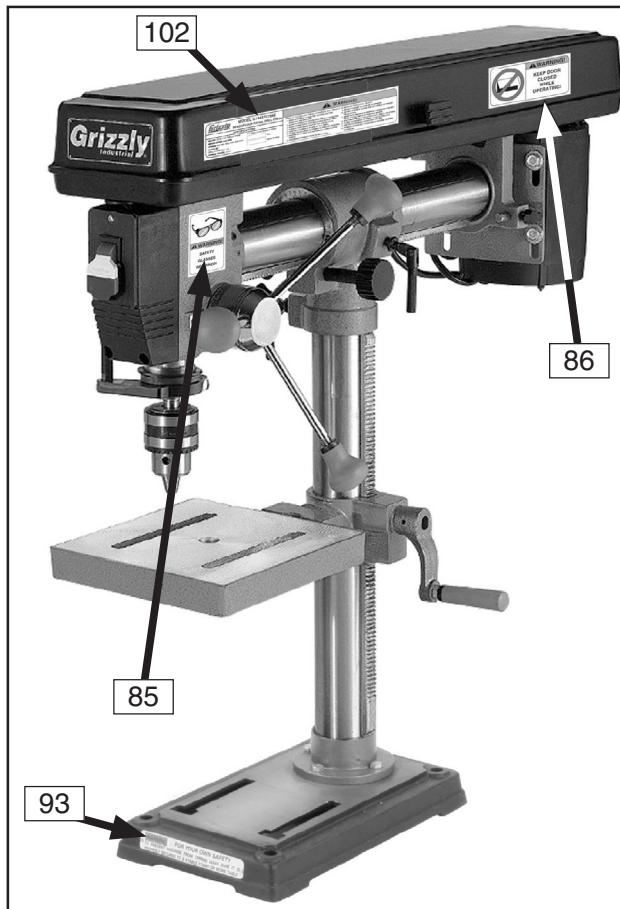
REF	PART #	DESCRIPTION
74	P7946074	WORM GEAR
80	P7946080	COLUMN RING
83	P7946083	ROUND TABLE
84	P7946084	COLUMN SUPPORT ARM
84A	P7946084A	TABLE SUPPORT ARM
92	P7946092	CLAMP BOLT M12-1.75 X 50
93-1	P7946093-1	HEX BOLT M8-1.25 X 125
96	P7946096	HEX BOLT 5/8-13 X 1-1/2
97	P7945097	WING NUT 8MM
123	P7946123	SPECIAL WRENCH
127	PN01M	HEX NUT M6-1
128	P7946128	LOCATING PIN
129	PW08M	FLAT WASHER 16MM



# Safety Label Placement and Parts List

## **⚠️ WARNING**

The safety labels on this machine warn and indicate how to protect the operator or bystander from machine hazards. The machine owner **MUST** maintain the original label location and readability. If a label is removed or becomes unreadable, **REPLACE** the label before using the machine. For new labels, contact Grizzly Industrial Inc. at (570) 546-9663 or [techsupport@grizzly.com](mailto:techsupport@grizzly.com).



REF	PART #	DESCRIPTION
85	PLABEL-11	LABEL (SAFETY GLASSES)
86	P7945086	LABEL (DOOR CLOSED-HORIZ)
93	P7945093	LABEL (TIPPING WARNING)
102	P7945102	MACHINE ID LABEL (G7945)
102	P7946102	MACHINE ID LABEL (G7946)
116	PLABEL-14	LABEL (ELECTRICITY)

