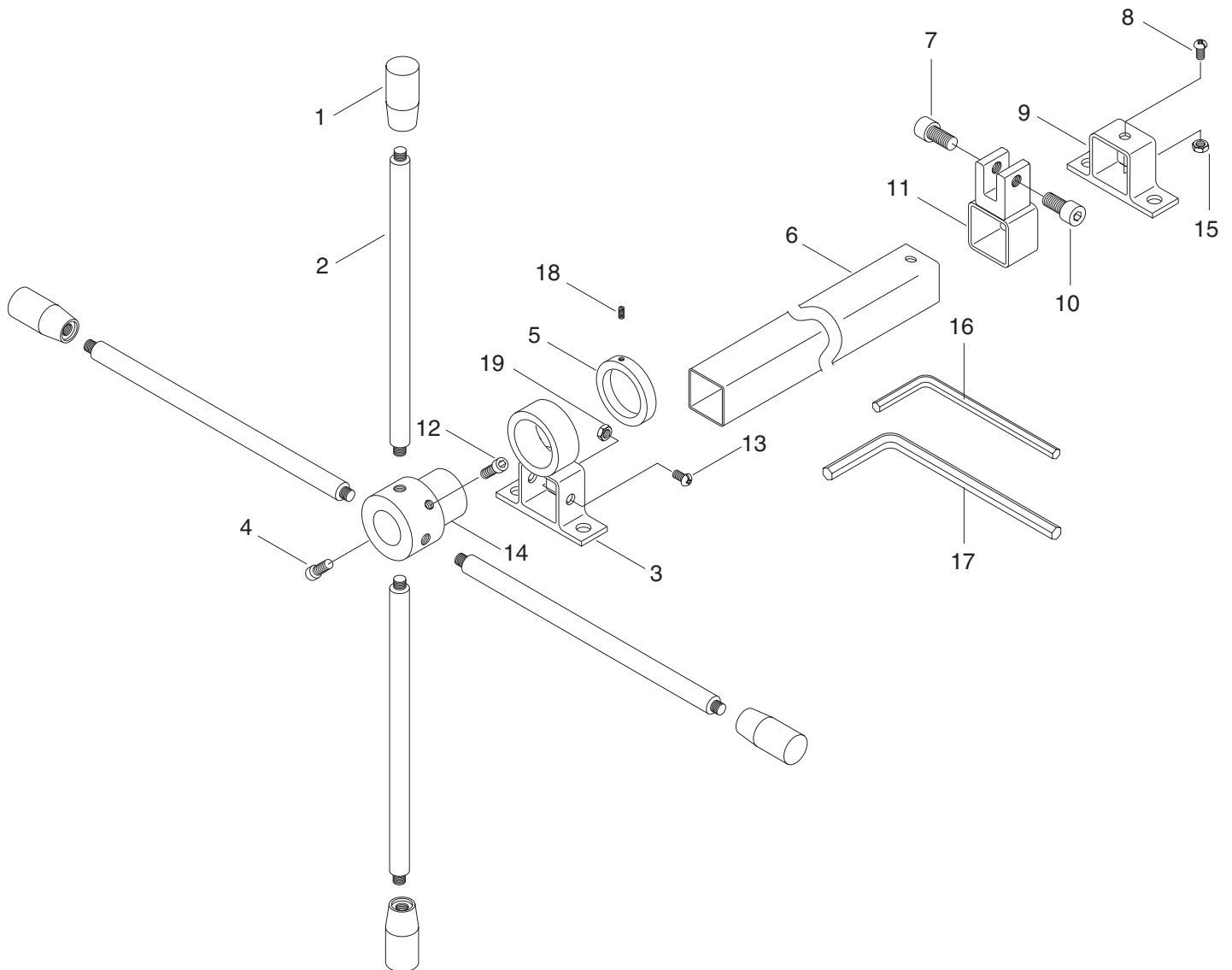


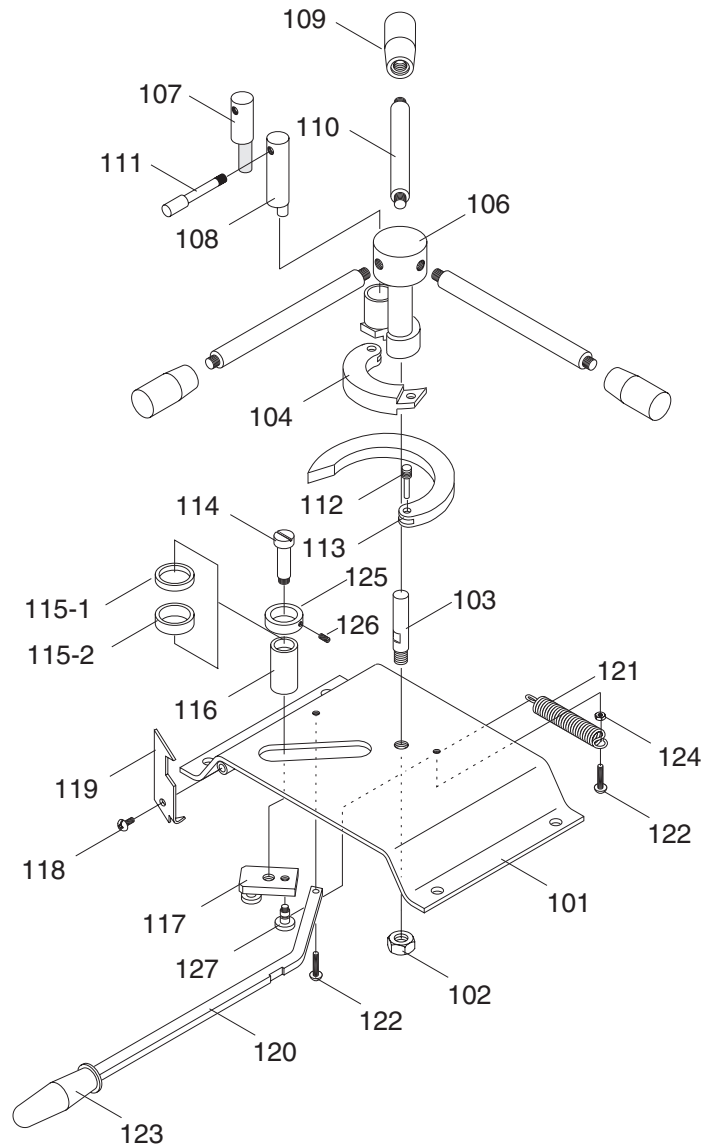
Model H5502 Parts Breakdown Twist Tool



REF	PART #	DESCRIPTION
1	PH5502001	HANDLE GRIP
2	PH5502002	HANDLE BAR
3	PH5502003	MOUNTING BRACKET
4	PSB92M	CAP SCREW M12-1.75 X 40
5	PH5502005	SET COLLAR
6	PH5502006	BODY

REF	PART #	DESCRIPTION
11	PH5502011	CLAMP BRACKET
12	PSB92M	CAP SCREW M12-1.75 X 40
13	PS30M	PHLP HD SCR M8-1.25 X 15
14	PH5502014	HUB
15	PN01M	HEX NUT M6-1
16	PAW08M	HEX WRENCH 8MM
17	PAW10M	HEX WRENCH 10MM
18	PSS01M	SET SCREW M6-1 X 10
19	PN03M	HEX NUT M8-1.25

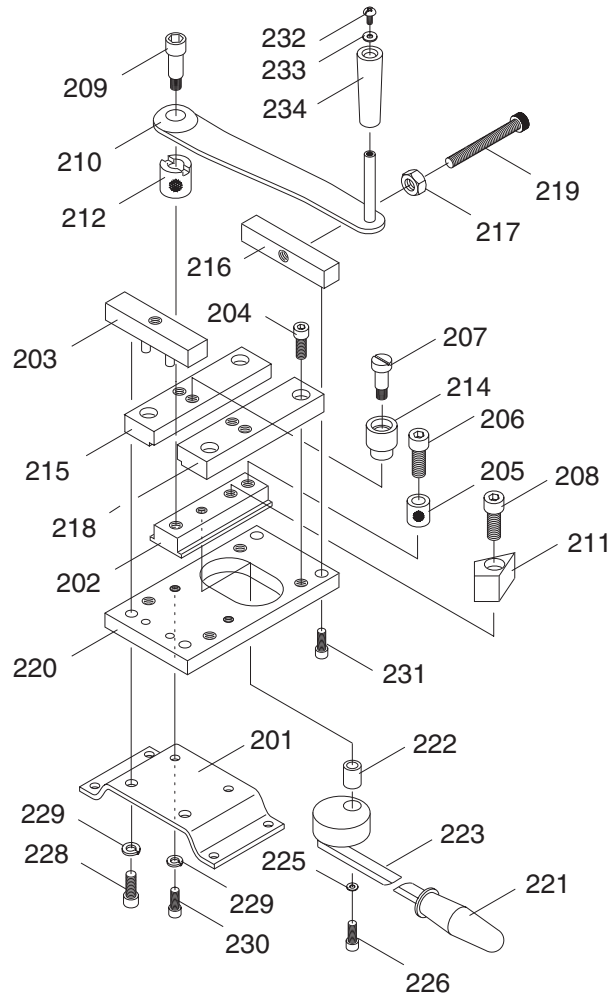
Model H5502 Parts Breakdown Scroll Tool



REF	PART #	DESCRIPTION
101	PH5502101	MOUNTING BRACKET
102	PN09M	HEX NUT M12-1.75
103	PH5502103	ARBOR
104	PH5502104	SMALL DIE
106	PH5502106	HUB DIE ASSY.
107	PH5502107	LONG OFFSET SHAFT
108	PH5502108	SHORT OFFSET SHAFT
109	PH5502109	HANDLE GRIP
110	PH5502110	HANDLE BAR
111	PH5502111	CLAMP HANDLE
112	PH5502112	DIE PIN
113	PH5502113	LARGE DIE
114	PH5502114	SPECIAL BOLT M15 X 45
115-1	PH5502115-1	SPACER (SMALL)

REF	PART #	DESCRIPTION
115-2	PH5502115-2	SPACER (LARGE)
116	PH5502116	GUIDE SLEEVE
117	PH5502117	GUIDE PLATE
118	PS14M	PHLP HD SCR M6-1 X 12
119	PH5502119	HOOK
120	PH5502120	SQUARE HANDLE BAR
121	PH5502121	SPRING
122	PS26M	PHLP HD SCR M6-1 X 20
123	PH5502123	SQUARE HANDLE GRIP
124	PN01M	HEX NUT M6-1
125	PH5502125	SET COLLAR
126	PSS03M	SET SCREW M6-1 X 8
127	PH5502127	SPRING GUIDE BOLT

Model H5502 Parts Breakdown Bending Tool



REF	PART #	DESCRIPTION
201	PH5502201	MOUNTING BRACKET
202	PH5502202	SLIDE BLOCK
203	PH5502203	FRONT BLOCK
204	PSB88M	CAP SCREW M10-1.5 X 25
205	PH5502205	PRESS WHEEL
206	PSB59M	CAP SCREW M10-1.5 X 40
207	PH5502207	SPECIAL BOLT M15 X 35
208	PSB77M	CAP SCREW M12-1.75 X 30
209	PH5502209	SPECIAL BOLT M15 X 50
210	PH5502210	CRANK
211	PH5502211	BENDING BLOCK
212	PH5502212	FEED ROLLER
214	PH5502214	GUIDE ROLLER
215	PH5502215	LEFT BLOCK
216	PH5502216	REAR BLOCK
217	PN02M	HEX NUT M10-1.5

REF	PART #	DESCRIPTION
218	PH5502218	RIGHT BLOCK
219	PH5502219	ADJUSTMENT SCREW
220	PH5502220	BASE
221	PH5502221	HANDLE GRIP
222	PH5502222	BUSHING
223	PH5502223	OFFSET HANDLE
225	PW04M	FLAT WASHER 10MM
226	PSB59M	CAP SCREW M10-1.5 X 40
227	PLW06M	LOCK WASHER 10MM
228	PSB84M	CAP SCREW M10-1.5 X 35
229	PLW04M	LOCK WASHER 8MM
230	PSB14M	CAP SCREW M8-1.25 X 20
231	PSB100M	CAP SCREW M8-1.25 X 15
232	PS37M	PHLP HD SCREW M6-1 X 6
233	PW03M	FLAT WASHER 6MM
234	PH5502234	CRANK HANDLE